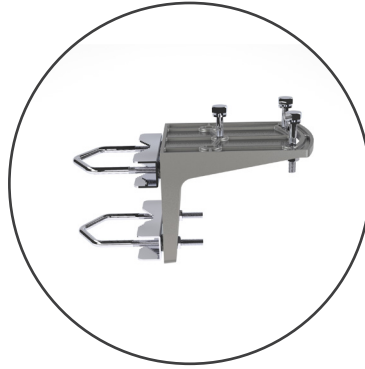


BRACKET | BRKT-30

BRKT-30

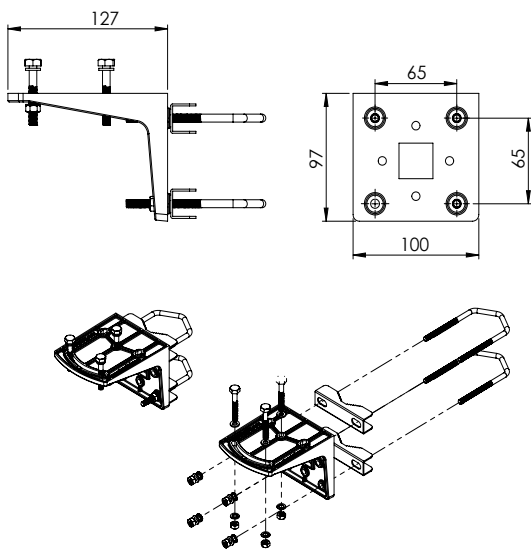
LPDA7030/7038 LTE HORIZONTAL MOUNTING BRACKET



Ordering Information

Commercial name: BRKT-30
 EAN Number: 6009693810112

Product Drawing



Mechanical Specifications

Product dimensions (L x W x D): 127 x 100 x 97mm
 Packaged Dimensions (L x W x D): 150 x 120 x 120mm
 Weight: 0.337kg
 Packaged Weight: 0.396kg
 Material: Cast Aluminium ADC12
 Process: Cast Item
 Surface finish: Die Cast 1.6 - 0.8 µm

Product Box Contents

Product: A-BRKT-030
 M6 nylock nut ss: 3
 M6 flat washer ss: 6
 M6x40mm bolt ss: 3

Certification Approvals and Standards

Flammability rating: UL:1581
 Salt spray: MIL-STD810F/ASTM B117
 Product Safety: Complies with CE and RoHS standards



RF Industries Pty Ltd - Head Office

99 Station Rd, Seven Hills
 NSW 2147 Australia
 Locked Bag 2007
 Seven Hills NSW 1730
 Phone: +61 2 8814 2300
 Fax: +61 2 9630 0844
 Email: enquiry@rfi.com.au